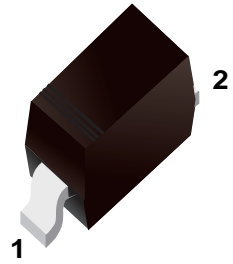


■ Schottky barrier diode

■ Features

- Small surface mounting type.(UMD2)
- Low V_F .($V_F = 0.43V$ Typ.at 100mA)
- High reliability.



■ Simplified outline(SOD-323)

■ Absolute Maximum Ratings $T_a = 25^\circ C$

| Characteristic | Symbol | Limits | Unit |
|-----------------------------|-----------|-------------|------------|
| Peak reverse voltage | V_{RM} | 45 | V |
| DC reverse Volatge | V_R | 40 | V |
| Mean rectifying current | I_o | 0.1 | A |
| Peak forwrad surge current* | I_{FSM} | 1 | A |
| Junction temperature | T_j | 125 | $^\circ C$ |
| Storage temperature | T_{stg} | -40 to +125 | $^\circ C$ |

*60Hz for 1

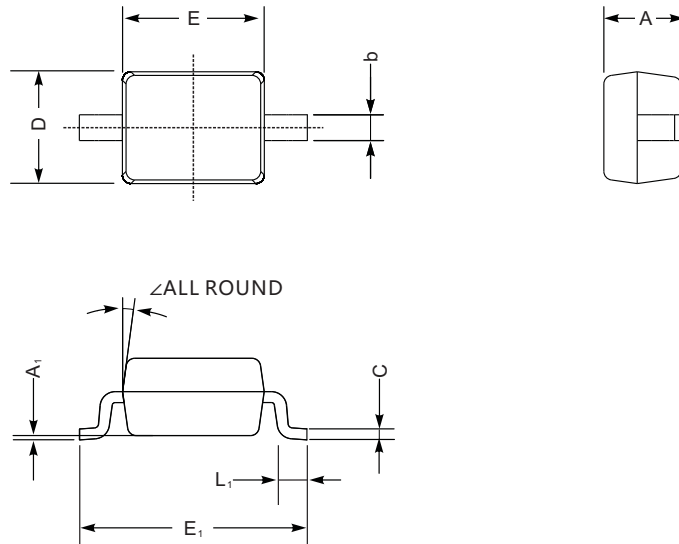
■ Electrical Characteristics $T_a = 25^\circ C$

| Characteristic | Symbol | Condition | Min | Typ | Max | Unit |
|-------------------------------|----------|---------------------------|-----|-----|------|---------|
| Forward Voltage | V_{F1} | $I_F = 100$ mA | | | 0.55 | V |
| Forward Voltage | V_{F2} | $I_F = 10$ mA | | | 0.34 | V |
| Reverse current | I_R | $V_R = 10$ V | | | 30 | μA |
| Capacitance between terminals | C_T | $V_R = 10$ V, $f = 1$ MHz | | 6.0 | | pF |

■ Marking

| | |
|---------|---|
| Marking | 4 |
|---------|---|

■ SOD-323



SOD-323 mechanical data

| UNIT | | A | C | D | E | E ₁ | b | L ₁ | A ₁ | \angle |
|------|-----|-----|------|-----|-----|----------------|------|----------------|----------------|----------|
| mm | max | 1.1 | 0.15 | 1.4 | 1.8 | 2.75 | 0.4 | 0.45 | 0.2 | 9° |
| | min | 0.8 | 0.08 | 1.2 | 1.4 | 2.55 | 0.25 | 0.2 | — | |
| mil | max | 43 | 5.9 | 55 | 70 | 108 | 16 | 16 | 8 | |
| | min | 32 | 3.1 | 47 | 63 | 100 | 9.8 | 7.9 | — | |

■ The recommended mounting pad size

